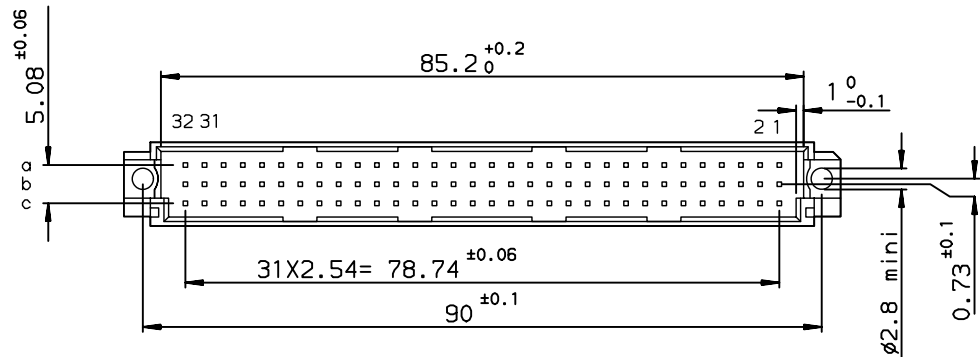
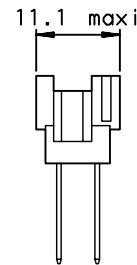
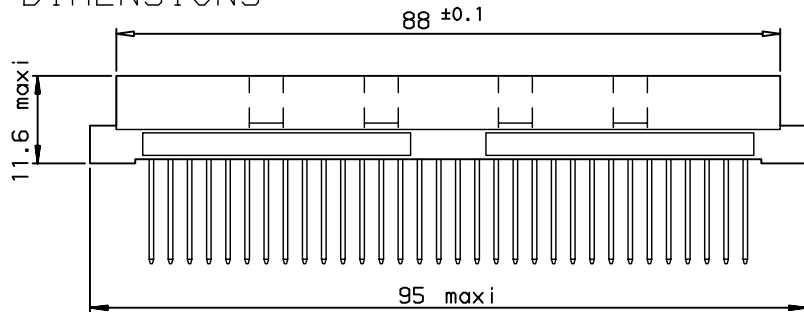


DIMENSIONS



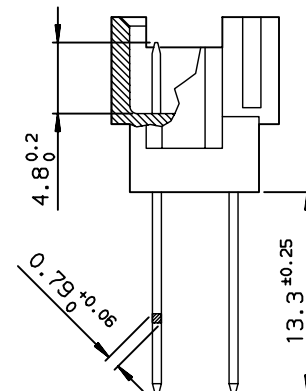
GENERAL CHARACTERISTICS :

-SEE DRAWING REF. C-8609-0000

SPECIFIC CHARACTERISTIC :

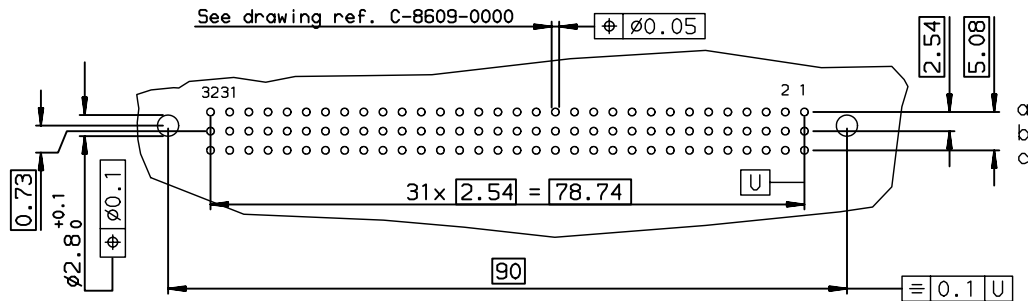
- Finishing termination : gold over Nickel
- insulator with notchs for keying

TERMINATION



P.C. CARD DRILLING (Component side view)

See drawing ref. C-8609-0000



PART NUMBER : 8609-464-79-15-355-000

European Views

www.fciconnect.com		surface ISO 1302 ✓	tolerance std ISO 406 ISO 1101	projection mm
TOLERANCES UNLESS OTHERWISE SPECIFIED				
Dr	LEGALLIC	2001/02/22	ANGULAR	0.X ±0.1
Eng	LEGALLIC	2001/02/22	LINEAR	0.XX ±0.1
Chr	LEGARE	2001/02/22	0.XX' ±2'	0.XXX ±0.1
Appr	LEGARE	2001/02/22	Product family	DIN
			size	A3
			Scale	1.5
			ECN	LS07-0130
			Spec ref	-
		STRAIGHT MALE STYLE HE11		Rev. no
		64 CONTACTS		C-8609-1027
catalog no				CUSTOMER sheet 1 of 1

rev	ecn no	dr	date
A	-	HLE	2001/02/22
B	LS07-0130	HLE	2007/06/07
-	-	-	-
-	-	-	-
-	-	-	-
-	-	-	-